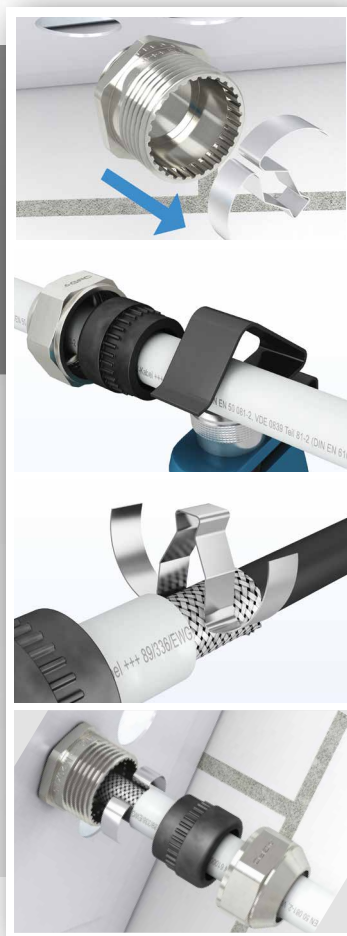
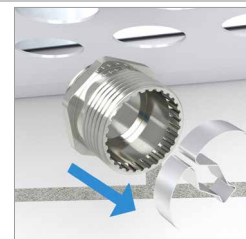
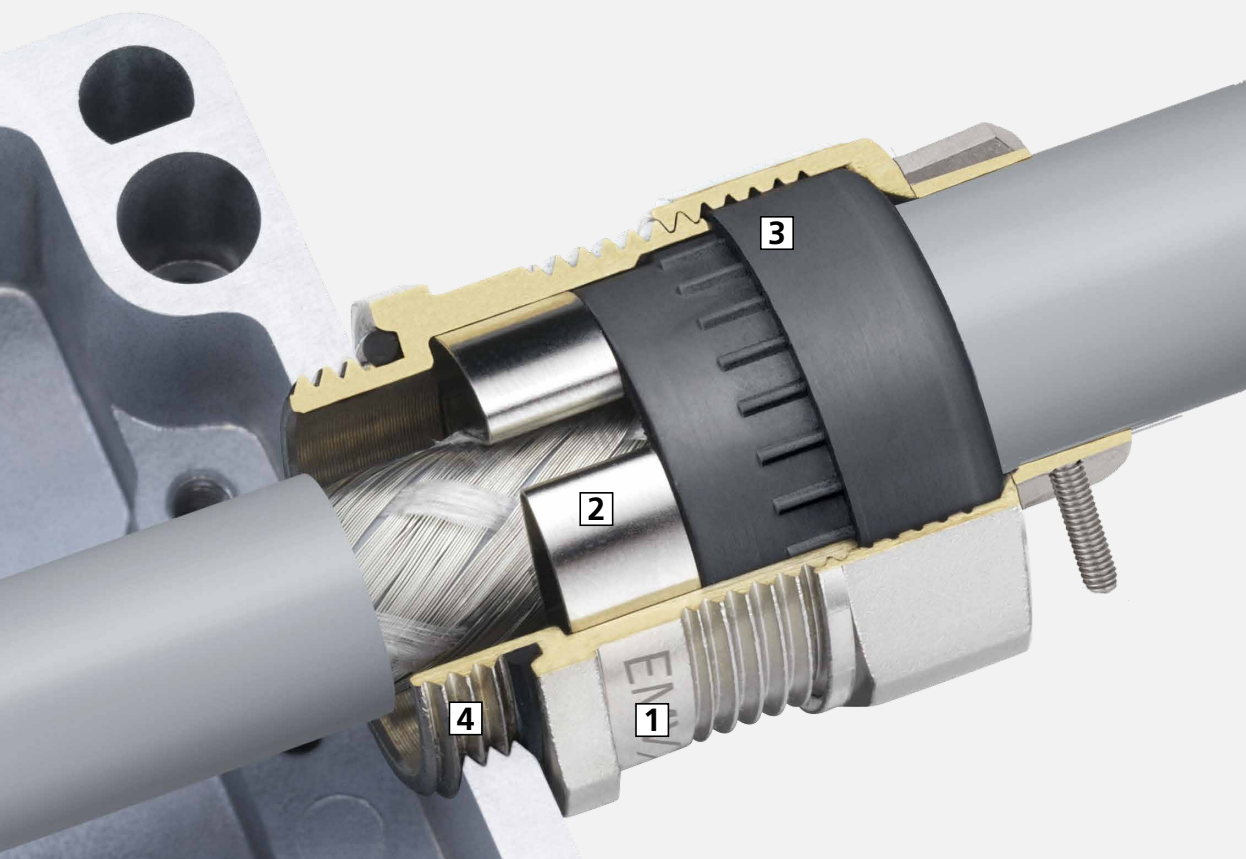


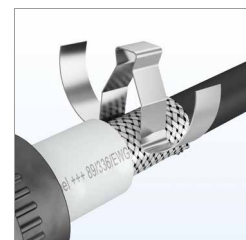
# Progress® EMC easyCONNECT

With clamps  
for increased safety Ex e II





Remove contact spring



Clip the contact spring onto the screen



Assemble as shown

# Progress® EMC easyCONNECT.

Quick, safe and convenient installation thanks to an innovative contact spring.

When handling flammable substances it is possible for gases, vapours, mists or dusts to form which, together with the oxygen in the air, create an explosive atmosphere. Companies in a wide variety of industries therefore rely on reliable safety solutions when using electrical equipment in hazardous areas. AGRO supports safety in these areas with certified Ex cable glands.

## The cable glands Progress® EMC Ex easyCONNECT

**with clamps for increased safety Ex e II** guarantee full control during installation and compensates for tolerances in shielding thicknesses to make a secure screened tap connection. The spring system provides for a very good contact of partially stripped shielding cables equally as well as for the contact of completely exposed cable shields which can be routed further.

### Clamps

In order to prevent cables in areas with explosive atmospheres from being torn out, they should be secured according to EN 60079 **no more than 300 mm** from the device - a requirement which can be difficult to meet in confined spaces. Thanks to its **clamps, the new member of the Progress® EMC product family** ensures optimum, standard-compliant strain relief in the smallest of spaces.

In addition to its compactness, the new **Progress® EMC Ex easyCONNECT brass cable gland with clamps** also offers a wide clamping range and excellent temperature resistance. It can be used wherever explosive gas, steam, mist or air mixtures are present or dust can from an explosive atmosphere.

### 1 Immediately recognisable

The Progress® EMC easyCONNECT cable gland can be directly identified by the EMV/EMC roll embossing on the lower part.

### 2 Optimal shield contact

The powerful, protective clamping of the cable shield guarantees excellent shield contact and provides for the smallest possible transfer impedance. The shape of the contact spring not only allows for a large clamping range to the shield nut also for easy disassembly without damaging the EMC braid.

### 3 Best possible sealing

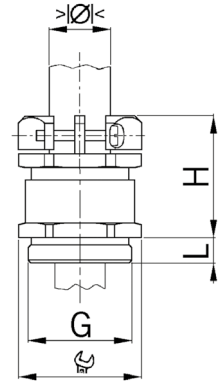
Two-part sealing inserts can be adapted to the existing cable diameter on site in just seconds and guarantee perfect sealing in compliance with IP 68 and IP 69K.

### 4 Short or long entry threads

Short or long entry threads in metric types M12 - M63 allow secure anchoring of the cable gland with or without an EMC locknut.

## Short entry thread metric

Material:	Nickel-plated brass
Screws:	Stainless steel A2
Sealing insert:	TPE
O-Ring:	FPM
Temperature range:	-60°C / +100°C
Protection class:	IP 66 / IP 68
Gas:	II 2G Ex eb IIC Gb
Dust:	II 2D Ex tb IIIC Db
Zone:	Gas 1 und 2 / Staub 21 und 22
Certificate:	SEV 15 ATEX 0151
IECEX Certificate:	IECEX SEV 15.0018
Test standard:	IEC 60079-0 IEC 60079-7 IEC 60079-31



### Progress MS EMV easyCONNECT Ex e II



Two-piece sealing insert  
not overall length insulated

G	>Ø< min mm	>Ø< max mm	>Ø< min mm	>Ø< max mm	mm	H mm	L mm	i info	Art.No.		
<b>M12x1.5</b>	-	-	5.0	6.5	15/16	31	5	1/2	<b>EX1803.83.12.065</b>		50
<b>M16x1.5</b>	6.0	8.0	8.0	10.5	18/19	33	5	-	<b>EX1803.83.17</b>		50
<b>M20x1.5</b>	8.0	11.0	11.0	15.0	24	35	6	-	<b>EX1803.83.20</b>		50
<b>M25x1.5</b>	12.5	16.0	16.0	20.5	30	40	7	-	<b>EX1803.83.25</b>		25
<b>M32x1.5</b>	17.0	21.0	21.0	25.5	36	45	8	-	<b>EX1803.83.32</b>		25
<b>M40x1.5</b>	24.0	28.5	28.5	33.0	46	51	8	-	<b>EX1803.83.40</b>		10
<b>M50x1.5</b>	33.0	37.0	37.0	42.0	55	57	9	-	<b>EX1803.83.50</b>		10
<b>M63x1.5</b>	40.0	46.0	46.0	52.0	70	60	10	-	<b>EX1803.83.63</b>		5

1 = One piece sealing insert 2 = Certificate SEV 15 ATEX 0152X / IECEx SEV 15.0019X

Versions in steel A2 and A4, entry threads Pg and NPT upon request



## Long metric entry thread

### Progress MS EMV easyCONNECT Ex e II



Two-piece sealing insert  
not overall length insulated

G	>Ø< min mm	>Ø< max mm	>Ø< min mm	>Ø< max mm	mm	H mm	L mm	i info	Art.No.		
<b>M12x1.5</b>	-	-	5.0	6.5	15/16	31	10	1/2	<b>EX1813.83.12.065</b>		50
<b>M16x1.5</b>	6.0	8.0	8.0	10.5	18/19	33	10	-	<b>EX1813.83.17</b>		50
<b>M20x1.5</b>	8.0	11.0	11.0	15.0	24	35	10	-	<b>EX1813.83.20</b>		50
<b>M25x1.5</b>	12.5	16.0	16.0	20.5	30	40	11	-	<b>EX1813.83.25</b>		25
<b>M32x1.5</b>	17.0	21.0	21.0	25.5	36	45	13	-	<b>EX1813.83.32</b>		25
<b>M40x1.5</b>	24.0	28.5	28.5	33.0	46	51	13	-	<b>EX1813.83.40</b>		10
<b>M50x1.5</b>	33.0	37.0	37.0	42.0	55	57	14	-	<b>EX1813.83.50</b>		10
<b>M63x1.5</b>	40.0	46.0	46.0	52.0	70	60	14	-	<b>EX1813.83.63</b>		5

1 = One piece sealing insert

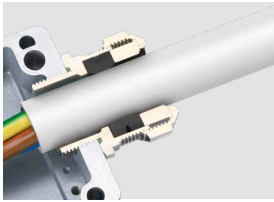
2 = Certificate SEV 15 ATEX 0152X / IECEx SEV 15.0019X

Versions in steel A2 and A4, entry threads Pg and NPT upon request



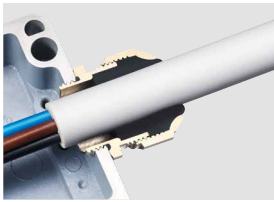
# Systems and solutions

for professional cable routing in potentially explosive atmospheres.



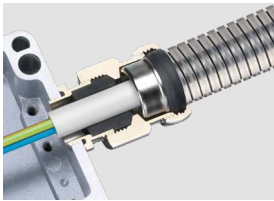
## Ex cable glands for flameproof enclosure Ex d IIC

If an explosion occurs inside a flameproof enclosure, it is impossible for the explosion to be transmitted to the outside. The compact design of the Ex Compact cable gland allows space-saving installation and the large clamping range reduces the number of types needed. The Series 18 with trumpet and safety clip ensures maximum safety even in the event of vibrations.



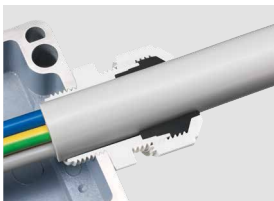
## Ex cable glands for increased safety Ex e II

The ingenious sealing insert and matching inner contours ensure a targeted deformation of the insert and thus guarantee its tightness. We also have an optimal solution for the introduction of several cables with the Multi version.



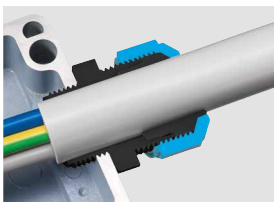
## Ex combination conduit gland Progress® brass, increased safety Ex e II

AGRO Combination conduit glands are the ideal choice when you want to insert cables protected by a conduit into a housing and at the same time want to seal them and relieve strain.



## Ex cable glands made of synthetic material, increased safety Ex e II

Cable glands for ignition protection increased safety may not reach temperatures which are above the temperature class of gases which could potentially arise in the place of use, and sparks caused by electrical or mechanical means may also not occur. This applies not only to normal operation but also during predictable malfunctions.



## Ex cable glands made of synthetic material, intrinsic safety Ex i II

An electrical circuit is intrinsically safe when neither a spark nor a thermal effect can cause the ignition of a given explosive atmosphere. The conditions for undisturbed operation and certain error conditions are established in this standard.

### Technical information and advice

Please find additional information about products, system solutions and communication media on our website: [www.agro.ch](http://www.agro.ch)

For additional questions or information our technical staff will be available and would be pleased to talk with you.

AGRO phone: +41(0) 62 889 47 47 | AGRO eMail: [info@agro.ch](mailto:info@agro.ch)



Assembly movie

AGRO AG | A KAISER COMPANY

CH-5502 Hunzenschwil

+41(0)62 889 47 47 · Fax +41(0)62 889 47 50

[www.agro.ch](http://www.agro.ch) · [info@agro.ch](mailto:info@agro.ch)

  
... your quality-connection